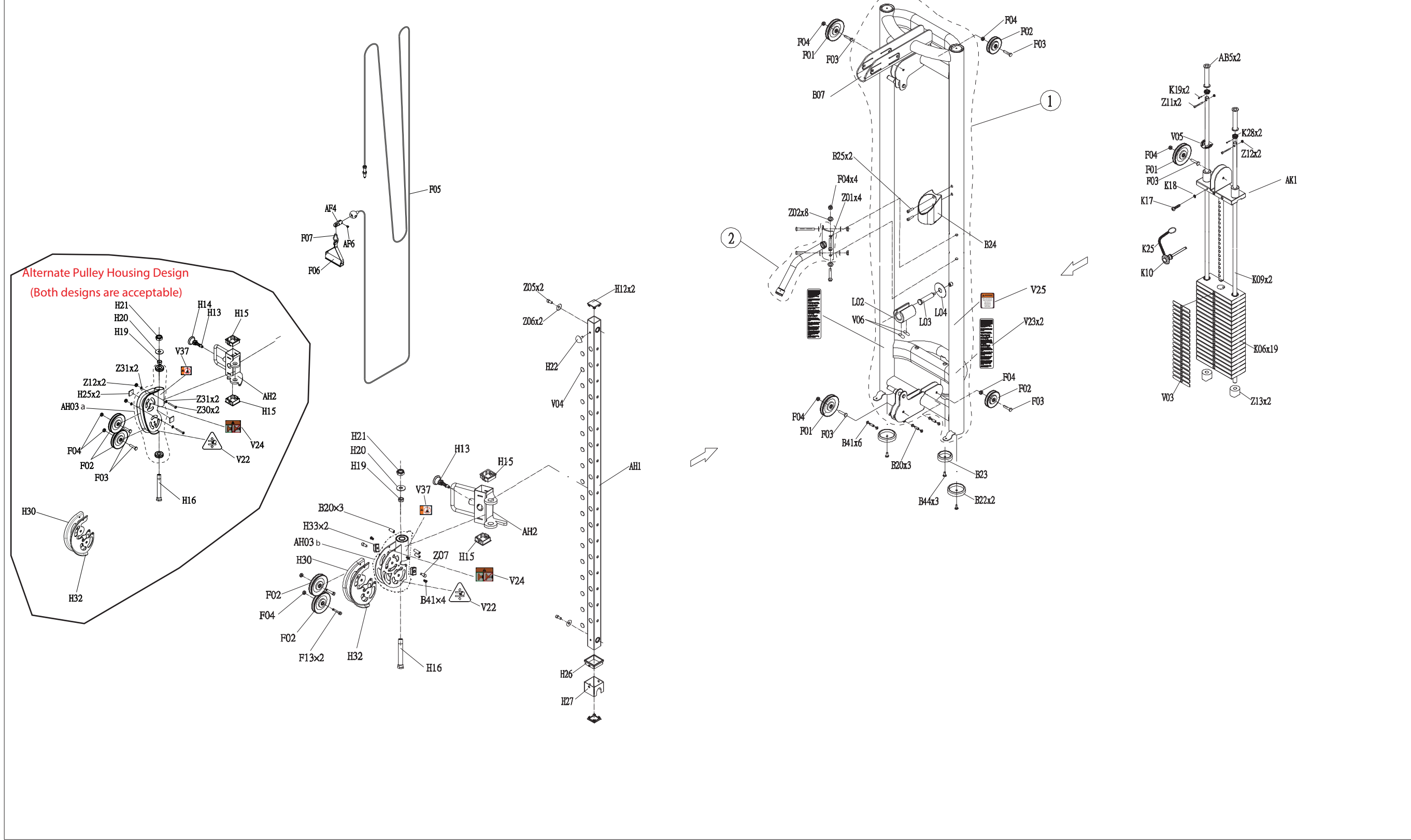
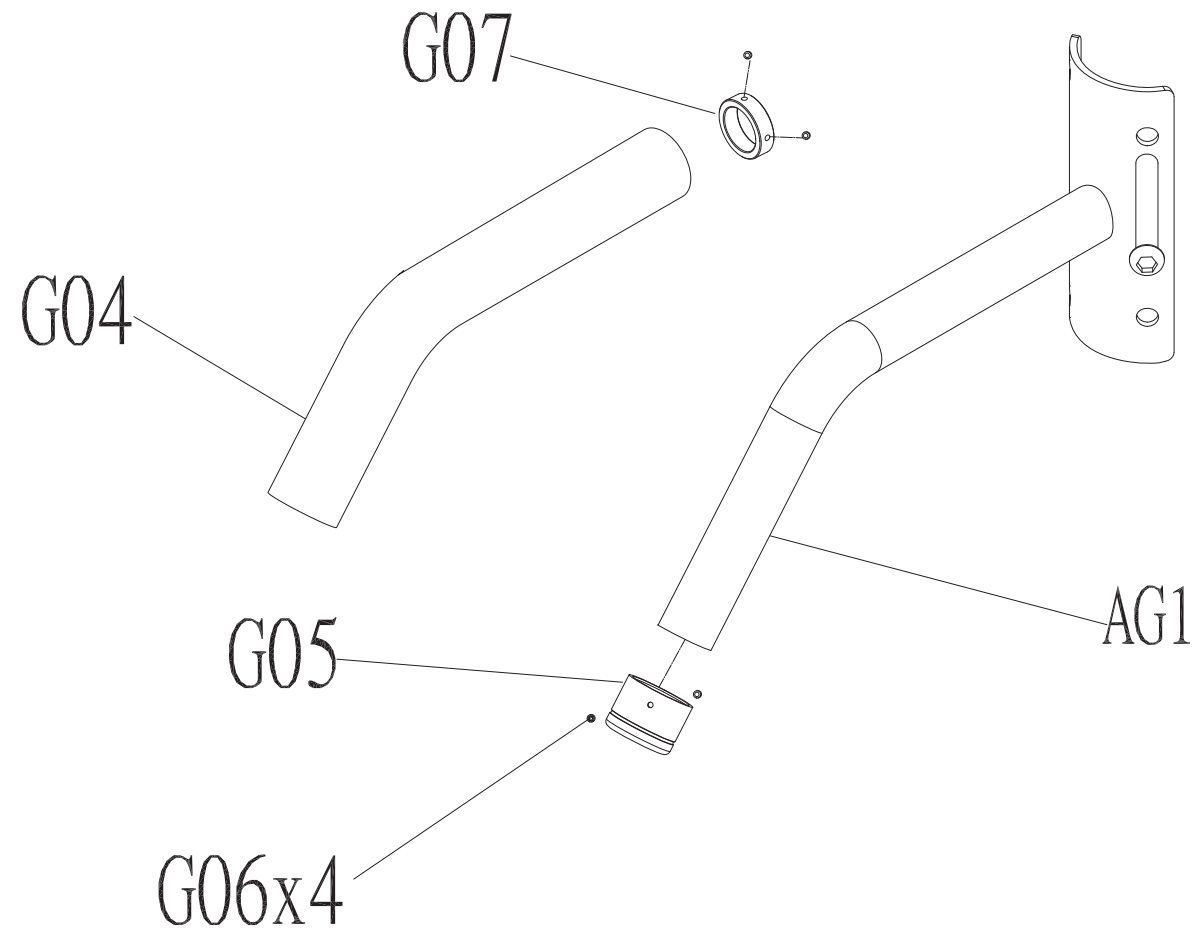


DRAWING NO	MS21-SF04		
PART NAME	FG Fabricate Set;MS24		
PART NO	1000330384	REV	B
APPROVE	wangtao	DATE	2021.01.15



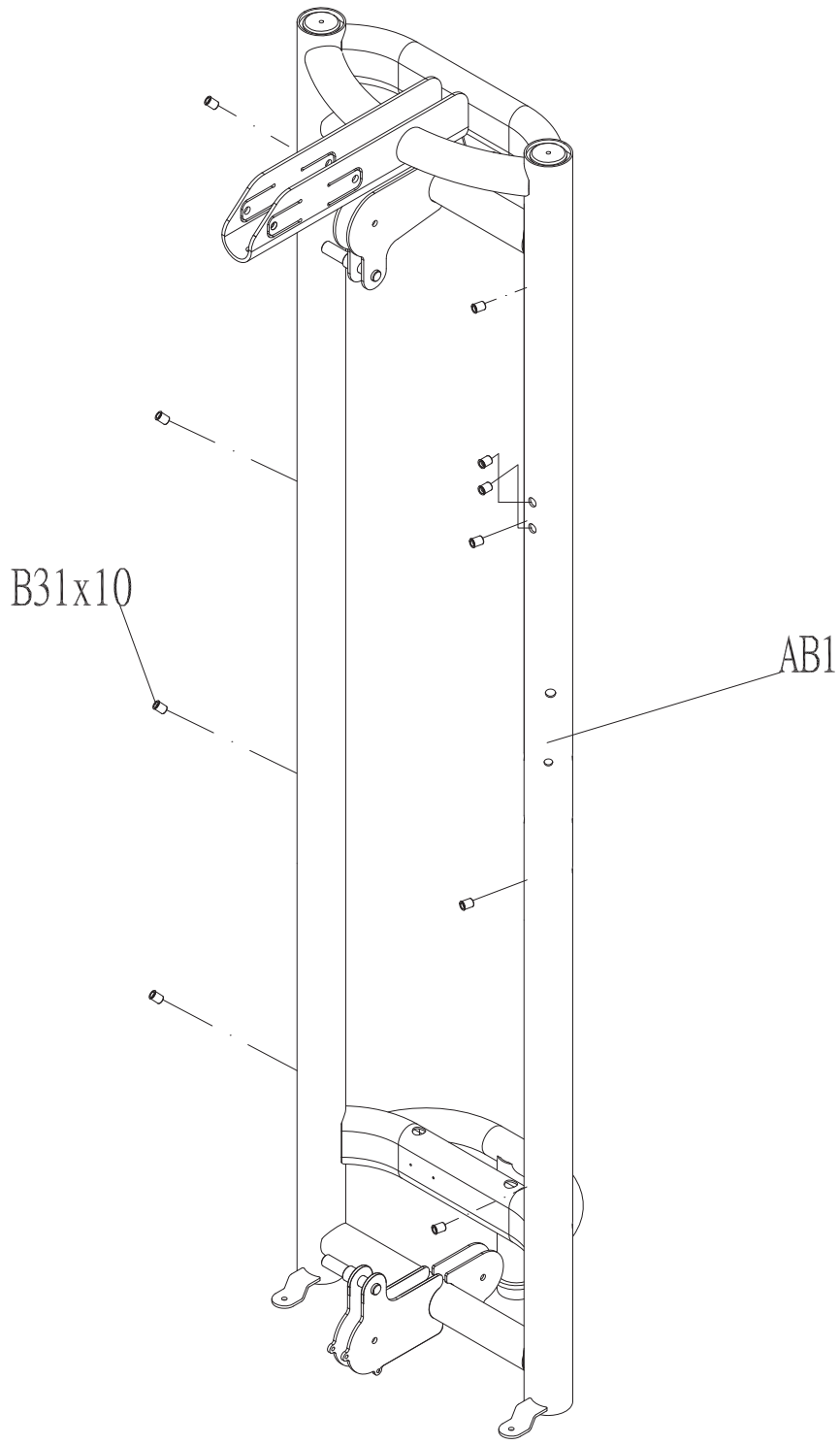
DRAWING NO			
PART NAME	Handle set;Semi-Assy;MS21		
PART NO	See chart	REV	A
APPROVE	Ares	DATE	06/25/14


Coulour	Part no.
Default	090123
Black Matte	1000320668
Iced Sliver	1000349143

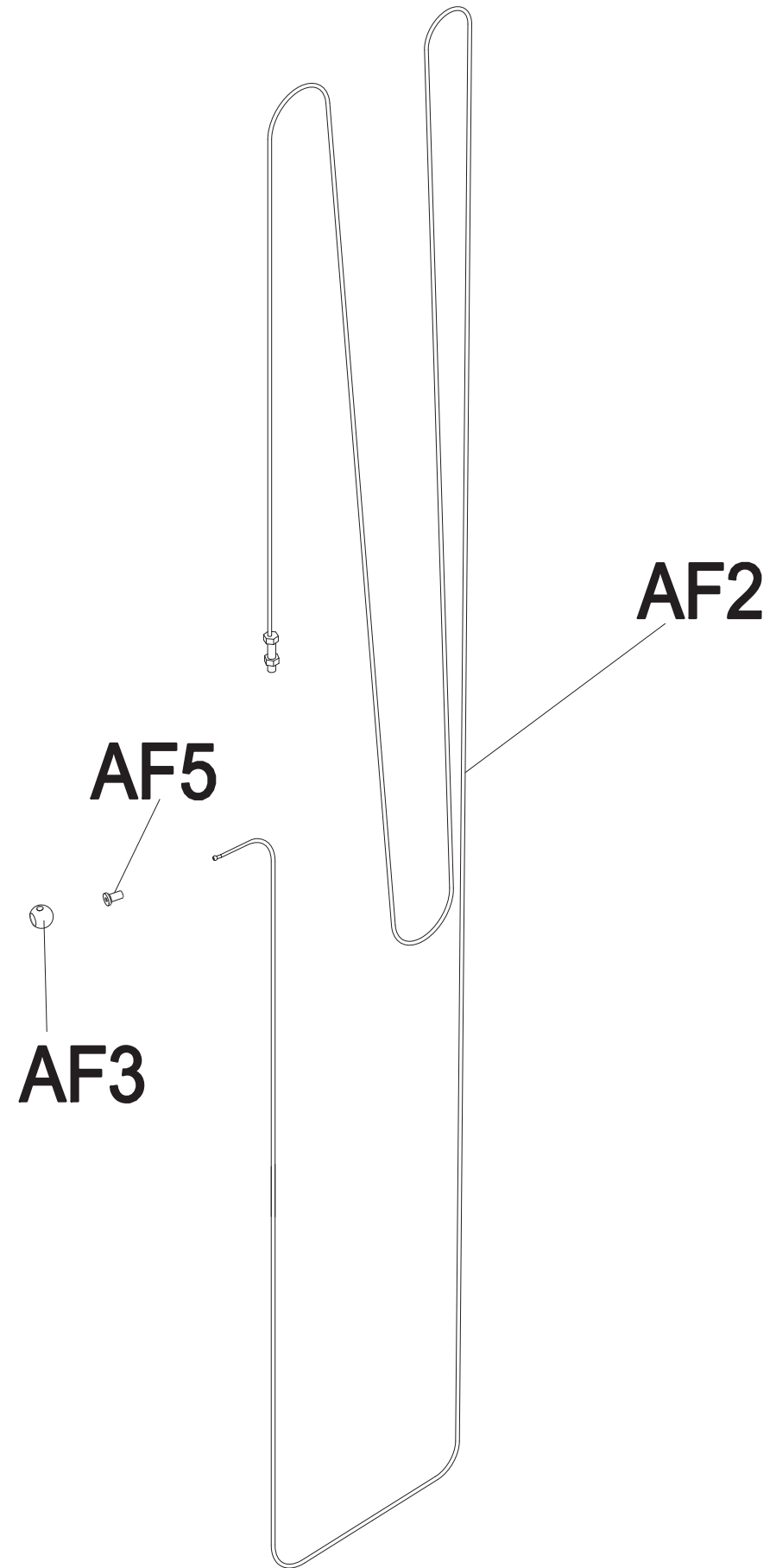


DRAWING NO			
PART NAME	Frame Set;Semi-Assy;MS24KM-G3		
PART NO	See chart	REV	A
APPROVE	Ares	DATE	06/25/14

Coulour	Part no.
Default	097401
Black Matte	1000320866
Iced Sliver	1000349146



DRAWING NO	MS21-SF36		
PART NAME	Steel Rope Set;No Fix Block		
PART NO	1000469945		A
APPROVE	SuYehua	DATE	2021.08.19



Reference Number	Part #	Description	Notes
AB5	1000363588	Stopper set;Guide Rod;;;painting;;;MS20;	See "Guide Rod Stops" in Service Bulletins.
AF3	1000431432	Plastic Ball;Steel Rope;;;PA66+GF30%;;;MS	
AF4	1000431435	Fix Block;Rop;;;Chrome;MS10;;	
AF5	1000431433	Protect Bushing;Steel Rope;;PU;BL/Black	
AF6	1000305873	Screw;Socket Head;M5X0.8PX6L;;Hex Socket	
AH03b	1000354841	Guide base set;Semi-Assy;;;MS24B-KM;Ice	See service bulletin "Adjustable Pulley Hardware Upgrade".
AH1	015836-A	Pulley Adjustable Tube	
AK1	1000359936	Up Weight Plate Set-Exreawork;;;MS21;	
B20	009247-A	Axle;Swivel;;S45C;10x25L	
B22	000510-D	Foot Pad;Rubber;76.2mm	
B23	000508-D	Foot Pad;Rubber;60mm	
B24	000791-B	Water Bottle Holder	
B25	004535-AC	Screw;Hex Socket;Round;M8x1.25Px30L	
B31	1000444959	RVN;;A2-M8-BF;;	
B41	087955	Screw;BH;M6X1.0PX10L;;HS;;CHM;;BP	
B44	1000102893	Screw;Hex Socket;Flat;M8x1.25Px20L;Cr Pl	
F01	073573	Pulley; 115mm	
F02	073572	Pulley; 90mm	
F03	1000104720	Screw;HH;M10x1.5Px45L;P-T15L;CHM;BP;G8.8	
F04	004943-00	Nut;Nylon;M10x1.5P;Cr Plate;	
F05	1000469945	Steel Rope Set;;;No Fix Block;Press Rope	
F06	089983	Grip;MS21KM-G3;	
F07	1000380094	Karabiner Spring Snap;;9(45mmx90mm);Sta	
G04	000664-AA	Foam Grip;Q31.8X320L	
G05	009372-E	Cap;Grip;GM02	
G06	004855-AC	Set Screw;M6X1.0PX4L	

G07	009355-B	Stopper Mast;Foam;AL6061;GM02	
H12	001407-A	End-Cover;Square Tube;GM03	
H13	014788-E	Metal Pin; Pull Pin	
H14	1000090177	Pull Pin Handle;Orange;TPP;137C;MS10	
H15	000845-F	Sleeve;60x60;Delrin;GM19	
H16	1000398066	Sleeve;Adjustment;;;;;GM106	See service bulletin "Improved Adjustable Pulley Sleeve".
H19	009354-A	Stopper Mast;SS41;Zn Plate;MS21	
H20	005031-AC	WASHER;FLT;Diam.20.2XDiam.30.0X2.0T;;CHM	
H21	1000399550	Nut;Nylon;M20x2.5P;Grade 12.9;Chrome;	
H22	001522-B	Stopper Block;Rubber	
H25	008569-A	Stopper;Pulley Support Plate;MS21 20*20*3T	
H26	037746-A	Stopper;Rubber	
H27	1000373696	Sleeve;;;painting;;Iced Sliver;MS21;	
H30	1000422225	Fixing Plate;Pulley Supt Plate;L;Stainle	
H32	1000422226	Fixing Plate;Pulley Supt Plate;Rt;Stainl	
H33	1000354060	Rubber Plate;Stopper;;NBR;Q520-7-3 MATTE	
K06	015942-AA	Weight Plate Set;10 Lbs;Dry Bearing	
K09	1000210973	Guide Rail;19x2000L	
K10	1000212618	Adjust set;Semi-Assy;;Service;;GM30C;;	Pin + Lanyard
K10	1000372591	Adjustable Pin;Weight Plate;;42CrMo;Chro	
K17	004720-AH	Screw;Hex Socket;Oval;M8X1.25PX20L	
K18	005040-00	Washer;Flat;Diam.8.5xDiam.19.0x1.5T;;Bla	
K19	1000104705	Screw;RND;M6x1.0Px15L;HS;CHM;BP;G8.8	
K25	005847-A	Lanyard;Weight Selection Pin	
K28	1000345425	Stopper Ring;Guide Rod;;;Chrome;GM41;;	
L02	1000098481	Weight Plate, Incremental	
L03	1000098483	Extrawork;Incremental Weight Plate Hook;	
L04	000755-CA	Elastomer;Incremental Weight Plate	
Not Shown	024579-A	Hardware Pack	

Not Shown	1000364887	Cover set;Semi-Assy;back;;;MS23KM-G3;; (Back Cover)	Original logo design; used BEFORE July 2021. See the service bulletin "Top Cap and Shroud Change". New logo design; used since July 2021. See the service bulletin "Top Cap and Shroud Change".
Not Shown V03	1000456271 006620-D	Cover set;Semi-Assy;back;;;New LOGO;;MS23 Decal;Weight Plate;10LBS	
			NEW 2020: These weight stack decals list effective weight (original decals show actual weight of the weight plate). See service bulletin Weight Stack Decal Change.
V03	1000449988	Spec Label;;10 LBS;White Word/Black Base	
V04	006662-A	Decal;Adjustable	
V05	006652-C	Decal;Incremental Weight Plate	
V06	006653-C	Decal;Weight Plate	
V22	1000109127	Decal;Pinch Point ;MS21KM-G3	
V23	1000232600	Warning Label;-;-;PC;-;-	
V24	1000218630	Warning Label;Pull Pin	
Z01	004822-AB	Screw;Umbrella Hex Scket;M10X1.5PX100L	
Z02	008523-B	Washer;Arc;M10x28x10.5T;SS41	
Z05	004556-AB	Screw;Hex Socket;Round;M12x1.75Px25L;Cr;	
Z06	005132-00	Washer;Flat;13x26x2.5T;Chromed	
Z07	004468-00	Screw;Hex Socket;Round;M6x1.0Px25L;;Zn-B	
Z11	004557-A	SCREW;SH;M6X1.0PX45L;;HS;;CHM;;	
Z12	004938-00	Nut;Nylon;M6X1.0P;Chromed	
Z13	001513-A	Rubber Block;Shock Absorb	

Z30	1000309031	Screw;Hex Socket;Button Head;M6X1.0PX45L	
Z31	1000104723	Washer;FLT;6.2x13.0x1.0t;CHM	
1	1000349146	Frame set;;;Iced Sliver;MS24KM-G3;;Servi	
2	1000349143	Handle Set;;;Iced Sliver;MS21KM-G3;;Serv	
AB1	Order Kit 1	Frame Set;;;painting;;Iced Sliver;MS24KM	
AF2	1000434801	Steel Rope Set	Please order kit (F05) instead.
AG1	Order Kit 2	Handle set;;;painting;;Iced Sliver;MS21;	
AH03a	Not Available	Pulley Housing	Housing no longer available as a service part; this housing was used prior to 2016.
AH2	1000349386	Pulley Adjustable Tube Set;;;painting;;I	
V25	1000364025	Warning Label;Anti Falling Down;French;;	
V25	1000359953	Warning Label;Anti Falling Down;MS24B;;;	
B31	004975-00	Insert Nut;Brass;ALS7-8125-3.8(0.5-3.8)	Discontinued Discontinued - Total length = 7.741 meters.
F05	1000301743	Steel Rope-Extrawork;-;-;Press Rope Hand	
F07	078462	Karabiner Spring Snap;;9(45mmx90mm);;Cr	Discontinued Discontinued - See service bulletin "Improved Adjustable Pulley Sleeve".
H16	1000399446	Adjustable Sleeve;ADJ;;20CrMo;;GM106;Dia	
K10	1000091374	Weight Stack Pin;Orange;Zn Plate;M	Discontinued